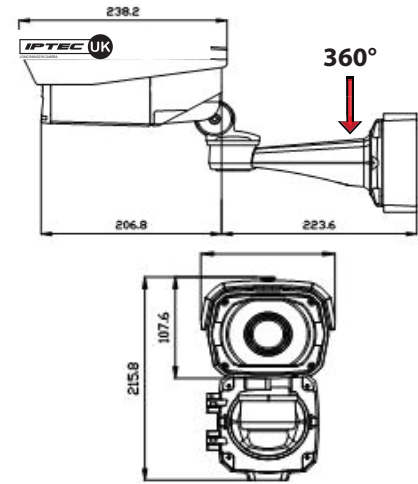




960H
34% MORE VIDEO THAN DVD



IPB-4816PVR

Colour 700/800 TVL Sony 1/3" Super High Resolution IR Camera up to 70 metres

OVERVIEW

IPTEC IR bullet cameras are truly superior quality. Super High Resolution colour cameras with the latest advance 4th generation SONY 1/3" CCD. Designed for surveillance application where high definition image and color reproductions are required. Additionally, it is equipped with 70 PCs high performance LED's allowing it to produce black and white images up to 70 meters in complete darkness. Digital WDR further enhances video quality in situations where excessive backlight exist. Advanced 3D filtering DNR (Digital Noise Reduction) allows saving up to 70% DVR Storage Space. DIS Digital Image Stabilizer images by Reducing Flickering. They are furnished with a 3.5~16 varifocal auto iris lens offering a versatile manually adjustable viewing angle of between 21° ~ 98°. It's unique 3-Axis mechanism, to achieve free 3D rotation (Pan/Tilt/Roll) and instant centering of video image. Designed for indoor and outdoor use.

FEATURES

- 70 metres IR range visible in total darkness with 70pcs of IR LEDs
- Waterproof (IP76)
- Digital Wide Dynamic Range
- 3-Axis Bracket for 3D (Pan/Tilt/Roll) rotation
- Wall or Ceiling Mount
- 1/3" Color Sony Super HAD CCD
- Super High Res (600TVL: Color, 700TVL: B/W)
- R LED output level controllable via RS-485
- Multi-language Full OSD support
- Multi Function: Lens Shading Compensation High Light Mask
- Motion Detection, Privacy Mask, Defect Pixel, Correction, Mirror
- Communication Option: RS485 Interface (PELCO-D, PELCO-P)
- Cable Managed Bracket
- DNR (Digital Noise Reduction)

SPECIFICATIONS

CCD Sensor	1/3" Sony CCD
Resolution	700 TVL Colour / 800 TVL (B&W)
Min. Illumination	0 Lux LED On
Viewing Angle	21° ~98° (3.5~16mm)
IR Range	0 Lux LED On
IP Rating	IP67
Backlight	BLC/HCL/Off
AGC, Contrast	Selectable via OSD
Motion, Privacy	Selectable via OSD
Mirror, Camera ID	Selectable via OSD
Shutter WBL	Selectable via OSD
LED Brightness	Low, Middle, High, Off
S/N Ratio	52dB
Iris Mode	Auto Iris Vari-focal
Electronic Shutter	Selectable via OSD
Mounting	Wall / Ceiling
Power Source	DC12V
Operation Temp.	-20°C ~50°C
Dimension	132.2(W) x 107.6(H) x 238.2(D)mm
Weight	Approx.2.3kg

MADE IN KOREA