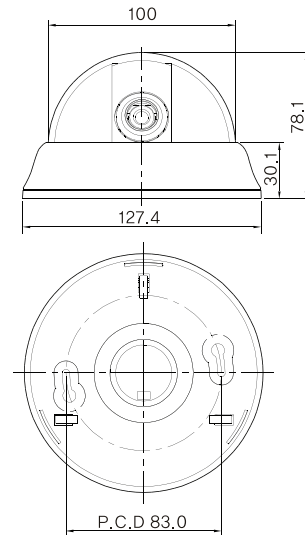




960H
34% MORE VIDEO THAN DVD



IPD-2310PVF/DN

Colour 700/800TVL Sony 1/3" Super High Resolution Day/Night CCD Camera

OVERVIEW

IPTEC dome cameras are truly superior quality. High Resolution colour cameras with the latest advance 4th generation SONY 1/3" CCD. Designed for surveillance application where a high definition image & true color reproduction are required in low light conditions. In night saver mode it can produce images in low light condition of up to 0.0003lux. Digital WDR further enhances video quality in situations where excessive backlight exist. Advanced 3D filtering DNR (Digital Noise Reduction) allow saving up to 70% DVR storage space. DIS Digital Image Stabilizer stabilizes images by reducing flickering. They are furnished with a 2.8~12mm varifocal auto iris lens offering a versatile manually adjustable viewing angle of between 28 ° ~ 136 °. The 3-D axis gimble allows versatile positioning wall/ceiling mount & instant centering of the video image designed for indoor use.

SPECIFICATIONS

CCD Sensor	1/3" Sony CCD
Resolution	700 TVL (Colour) /800 (B&W)
Min. Illumination	0.0003 Lux (Sense Up)
Day & Night	True Mechanical Filter
Wide Dynamic Range	Digital
Viewing Angle	28 ° ~ 136 °(2.8~12mm)
AGC, Contrast, Sharpness	Selectable via OSD
Motion, Privacy, Mirror	Selectable via OSD
Camera ID, Shutter, WBL, BLC	Selectable via OSD
S/N Ratio	52dB
Iris Mode	Auto Iris Varifocal
Mounting	Wall / Ceiling
Weatherproofing	Optional
Dimension	127.4 x 78.1 mm
Power Source	DC12V

MADE IN KOREA