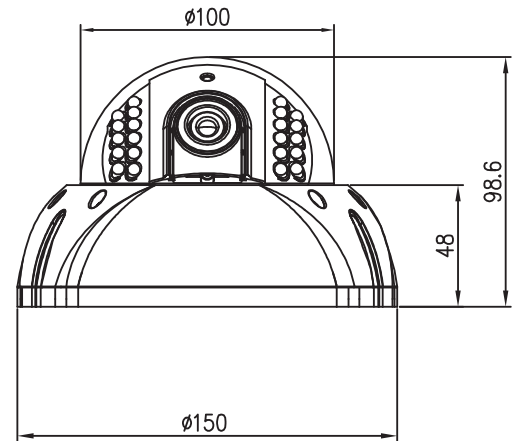


960H
34% MORE VIDEO THAN DVD



IPD-V1810PVR

Colour 700/800TVL Sony 1/3" Super High Resolution Vandal IR Dome Camera 25meters

OVERVIEW

IPTEC vandal resistant IR dome camera are truly superior quality. Super High Resolution colour camera with the latest advance 4th generation SONY 1/3" CCD. Designed for surveillance application where a high definition image & true color reproduction are required. IPD-V1810PVR is equipped with strong aluminum case and reinforced with dome cover for vandal proof design. With its built-in 20 pcs LED's it can produce black and white images up to 25 metres in conditions as low as 0 lux. They are furnished with a 2.8 ~ 12mm varifocal auto iris lens offering a manually adjustable viewing angle of 136° ~ 28°

SPECIFICATIONS

CCD Sensor	1/3" Sony CCD
Resolution	700 TVL(Colour) / 800 TVL (B/W)
Min. Illumination	0 Lux LED On
Wide Dynamic Range	Digital
Viewing Angle	28° ~136° (2.8~12mm)
IR Range	25 meters
IP Rating	IP67
AGC, Contrast, Sharpness	Selectable via OSD
Motion, Privacy, Mirror	Selectable via OSD
Impact Detection, Shutter, WBL, BLC	Selectable via OSD
S/N Ratio	52dB
Iris Mode	Auto Iris Vari-focal
Mounting	Wall / Ceiling
Dimension	150 x 98.6mm
Weight	800g
Power Source	DC12V

MADE IN KOREA